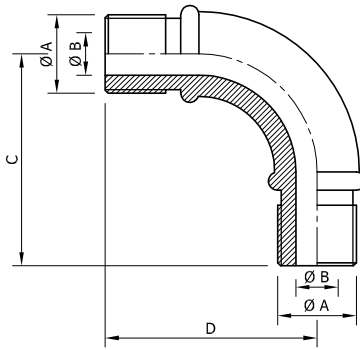
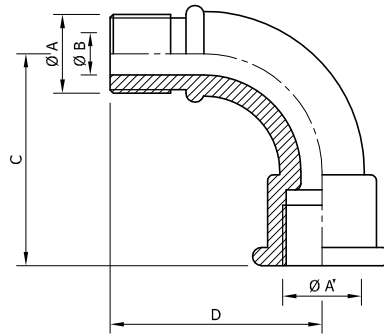




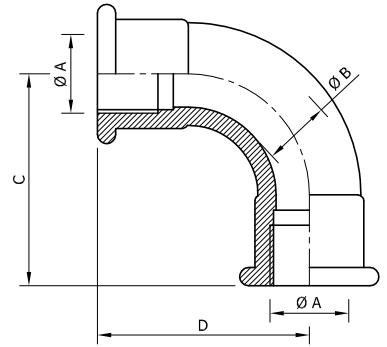
ELM / 90°



ELMF / 90°



ELF / 90°



Gövde Tipi Type	Ağırlık (kg) Weight	ØA		Ölçüler Dimensions (mm)		
		NPT	METRIC	ØB	C	D
ELM.1/90°	0.25	1/2"	M20x1.5	13	70	70
ELM.2/90°	0.27	3/4"	M25x1.5	14	70	70
ELM.3/90°	0.41	1"	M32x1.5	20	90	90
ELM.4/90°	0.69	1 1/4"	M40x1.5	30	110	110
ELM.5/90°	0.71	1 1/2"	M50x1.5	32	120	120
ELM.6/90°	1.16	2"	M60x1.5	42	140	140
ELM.7/90°	2.26	2 1/2"	M75x1.5	50	175	175
ELM.8/90°	3.17	3"	M90x2	70	205	205

Gövde Tipi Type	Ağırlık (kg) Weight	ØA		ØA'		Ölçüler Dimensions (mm)		
		NPT	METRIC	NPT	METRIC	ØB	C	D
ELMF.1/90°	0.19	1/2"	M20x1.5	1/2"	M20x1.5	13	70	70
ELMF.2/90°	0.21	3/4"	M25x1.5	3/4"	M25x1.5	14	70	70
ELMF.3/90°	0.29	1"	M32x1.5	1"	M32x1.5	20	90	90
ELMF.4/90°	0.58	1 1/4"	M40x1.5	1 1/4"	M40x1.5	30	110	110
ELMF.5/90°	0.81	1 1/2"	M50x1.5	1 1/2"	M50x1.5	32	120	120
ELMF.6/90°	1.51	2"	M60x1.5	2"	M60x1.5	42	140	140
ELMF.7/90°	2.32	2 1/2"	M75x1.5	2 1/2"	M75x1.5	50	175	175
ELMF.8/90°	3.62	3"	M90x2	3"	M90x2	70	205	205

Gövde Tipi Type	Ağırlık (kg) Weight	ØA		Ölçüler Dimensions (mm)		
		NPT	METRIC	ØB	C	D
ELF.1/90°	0.15	1/2"	M20x1.5	16	70	70
ELF.2/90°	0.19	3/4"	M25x1.5	22	70	70
ELF.3/90°	0.23	1"	M32x1.5	26	90	90
ELF.4/90°	0.44	1 1/4"	M40x1.5	35	110	110
ELF.5/90°	0.46	1 1/2"	M50x1.5	42	120	120
ELF.6/90°	0.69	2"	M60x1.5	50	140	140
ELF.7/90°	0.91	2 1/2"	M75x1.5	64	175	175
ELF.8/90°	1.56	3"	M90x2	79	205	205

Malzeme/Material: Alüminyum ETIAL 140